

PLEASE CHECK WWW.MOLEX.COM FOR LATEST PART INFORMATION

Part Number: **0495050205**
Status: **Active**
Description: Bulb Socket, Unsealed, For W16W, 35.50mm Socket Length, 2 Circuits

Documents:

[3D Model](#) [Product Specification PS-49505-001 \(PDF\)](#)
[Drawing \(PDF\)](#) [RoHS Certificate of Compliance \(PDF\)](#)

General

Product Family	Other Sockets
Series	49505
Comments	Bulb socket for W16W
Component Type	Socket
Product Name	Bulb Socket

Physical

Circuits (Loaded)	2
Color - Resin	Gray
Durability (mating cycles max)	Contact Molex
Entry Angle	Vertical
Keying to Mating Part	N/A
Material - Resin	Nylon
PCB Retention	None
Packaging Type	Bag
Pitch - Mating Interface (in)	0.343 In
Pitch - Mating Interface (mm)	8.70 mm
Temperature Range - Operating	-40°C to +80°C

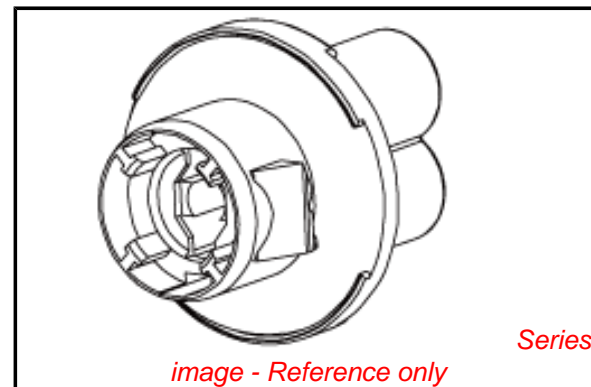
Electrical

Current - Maximum per Contact	7A
Voltage - Maximum	12V

Material Info

Reference - Drawing Numbers

Packaging Specification	PK-49505-001
Product Specification	PS-49505-001
Sales Drawing	SD-49505-001



EU RoHS

**ELV and RoHS
Compliant**
REACH SVHC
 Not Reviewed
**Halogen-Free
Status**

China RoHS



**Need more information on product
environmental compliance?**

Email productcompliance@molex.com
 For a multiple part number RoHS Certificate of
 Compliance, [click here](#)

Please visit the [Contact Us](#) section for any
 non-product compliance questions.

Search Parts in this Series

49505Series

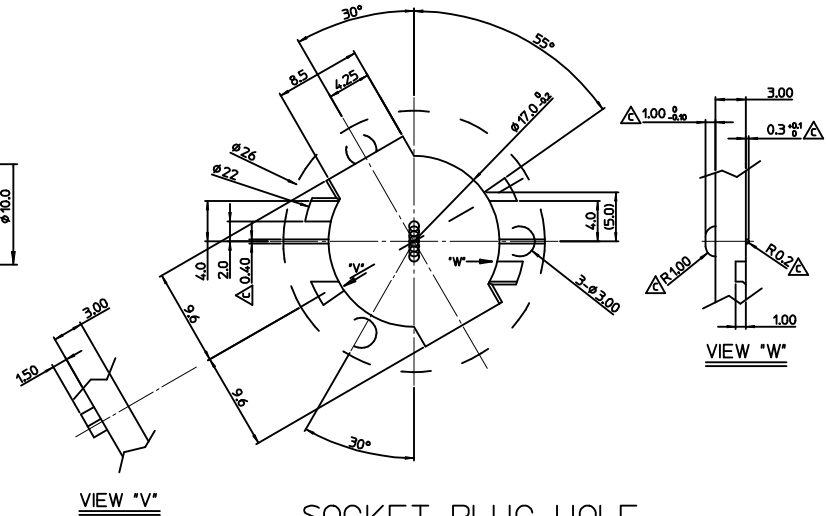
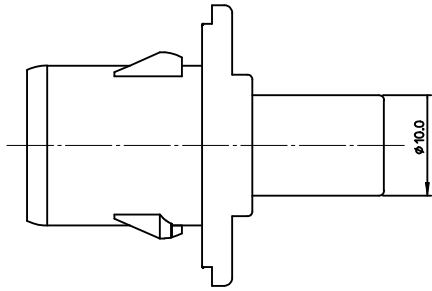
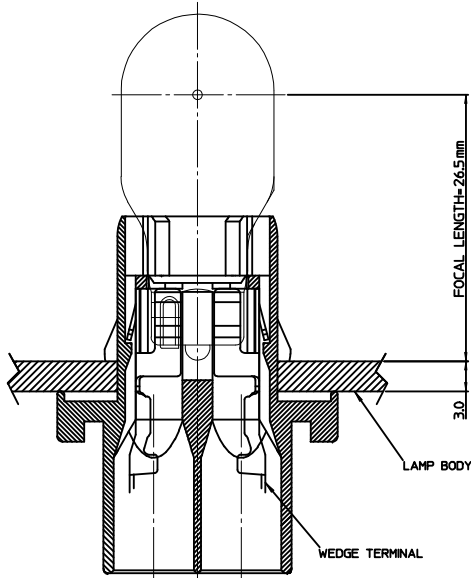
Mates With

Lamp

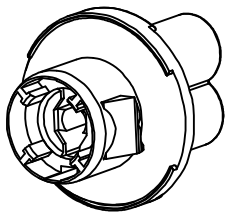
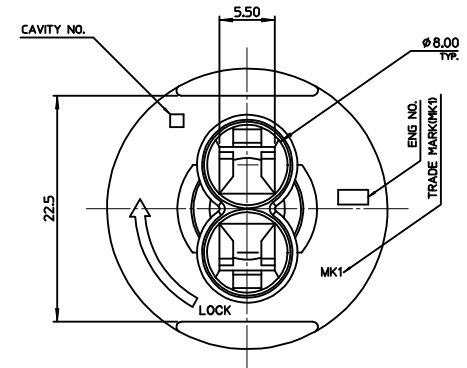
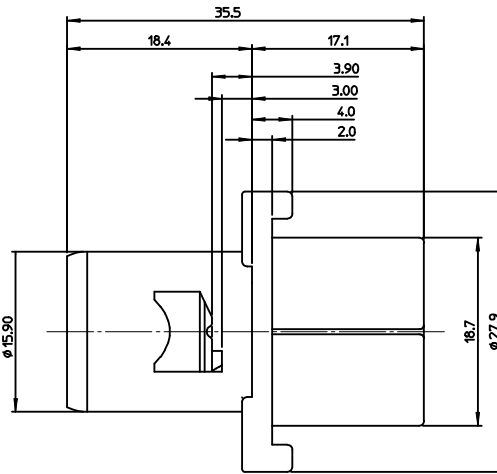
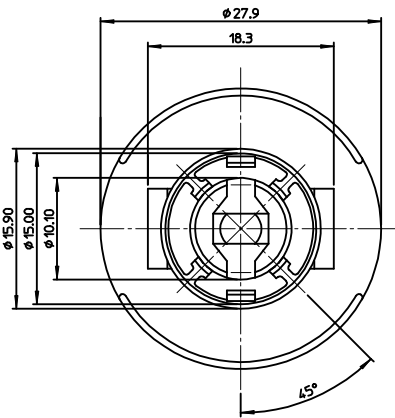
Use With

35477-9002

PLEASE CHECK WWW.MOLEX.COM FOR LATEST PART INFORMATION



SOCKET PLUG HOLE



ISOMETRIC VIEW

NOTES

1. MATERIAL : POLYAMIDE(PA66), MINERAL FILLED, UL94HB
2. PRODUCT SPECIFICATION: PS-49505-001
3. APPLICABLE TERMINAL: 35477-9002
4. APPLICABLE WEDGE BULB CAP: W2.1X9.5d(W16W)
5. FOCAL LENGTH: 26.5mm

CHANGED OF DIMENSION	EC NO: KOR2010-0010	2009/07/29
DRAWN/CHK/APP	DRWNER/KIM	2009/07/29
	CHK/BCYOON	2009/07/30
	APPR:YUN/IKM	2009/07/29
REV	DESCRIPTION	

QUALITY SYMBOLS	GENERAL TOLERANCES (UNLESS SPECIFIED)	DIMENSION STYLE
▽=0	mm INCH	MM ONLY
▽=0	4 PLACES ± 0.10 ± 0.10	DRAWN BY DATE
	3 PLACES ± 0.20 ± 0.10	SMK IM 2004/05/12
	2 PLACES ± 0.30 ± 0.10	CHECKED BY DATE
	1 PLACE ± 0.50 ± 0.10	BCYOON 2004/05/12
	ANGULAR ± 1°	APPROVED BY DATE
		CWLEE 2004/05/12

MATERIAL NO.	ORDER NO.	REMARK
495050205	49505-0205	GRAY
495050206	49505-0206	WHITE
SCALE	DESIGN UNITS	THIRD ANGLE PROJECTION
4:1	METRIC	

<SEE TABLE 1>		
UNSEALED W16W BULB SOCKET 2P (SOCKET LENGTH=35.5MM)		
MOLEX INCORPORATED		
MATERIAL NO.	DOCUMENT NO.	SHEET NO.
495050205	SD-49505-001	1 OF 1
THIS DRAWING CONTAINS INFORMATION THAT IS PROPRIETARY TO MOLEX INCORPORATED AND SHOULD NOT BE USED WITHOUT WRITTEN PERMISSION		